

R454b Refrigerant

SUBMITTAL DATA SHEET



Series Name: Extreme Heat AHU Series
Model Number: MAUSE-H60B-2A/MO1HE-H60B-2A

Air Handler Heat Pump System

Location:	Approval:
Engineer:	Date:
Submitted to:	Construction:
Submitted by:	Unit #:
Reference:	Drawing #:



INDOOR SPECIFICATION

ESP(inWG)		0~0.8
Indoor Air Flow (Turbo/H/ML/SI) (CFM)		1801 / 1648 / 1501 / 1236 / 1236
Indoor Noise Level (Turbo/H/ML/SI) (dBA)		60 / 57 / 54.5 / 37 / 37
Dimension (W×D×H)	inch	21-1/2 x 21-1/2 x 60-1/8
	mm	546 x 546 x 1526
Package (W×D×H)	inch	31-1/8 x 25 x 70-3/4
	mm	790 x 635 x 1800
Net/Gross Weight	lbs	188 / 238
	kg	85.3 / 108.1

OUTDOOR SPECIFICATION

Compressor Type		TWIN-ROTARY
Compressor Model		ETPQ480D66UMU1
Refrigerant		R454B
Refrigerant Oil Charge(mL)		1,300
Refrigerant Oil		VG75
Outdoor Air Flow (Max) (CFM)		2,649
Outdoor Noise Level (dBA)		64.5
Dimension (W×D×H)	inch	37-1/2 x 16-3/8 x 52-1/2
	mm	952 x 416 x 1333
Package (W×D×H)	inch	43-1/8 x 19-1/2 x 58-1/4
	mm	1095 x 495 x 1480
Net/Gross Weight	lbs	243 / 275
	kg	110.2 / 124.8

EFFICIENCY

Cooling		Heating	
SEER2	17.5	HSPF2-4	9.5
EER2	12.0	COP	3.36

PERFORMANCE of Cooling

Cooling (Btu/hr)	
Rated Capacity	54,000
Min/Max Capacity	11,400 ~ 60,000
Moisture Removal(L/h)	6.02
Standard Operating Range(*F/*C)	-22~122(-30 ~ 50)
Rated Cooling Conditions:	Indoor: 80°F DB/67°F WB Outdoor: 95°F DB/75°F WB

PERFORMANCE of Heating

Heating (Btu/hr)	
1. @ 47°F Rated	55,000
2. @ 47°F Min/Max Capacity	8,600 ~ 60,000
3. @ 17°F Rated	35,000
4. @ 5°F Rated: Capacity / COP	54,000 / 1.9
5. @ 5°F Max: Capacity	54,000
Standard Operating Range(*F/*C)	-22~75 (-30 ~ 24)
1. Rated Heating Conditions:	Indoor: 70°F DB/60°F WB Outdoor: 47°F DB/43°F WB
2. Rated Heating Conditions:	Indoor: 70°F DB/60°F WB Outdoor: 17°F DB/15°F WB
3. Heating Conditions, Compressor Operating at Max. Frequency	Indoor: 70°F DB/60°F WB Outdoor: 5°F DB/5°F WB

ELECTRICAL

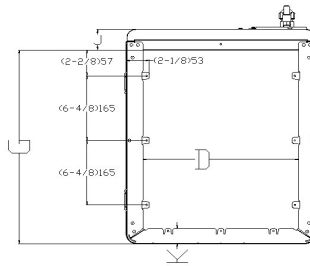
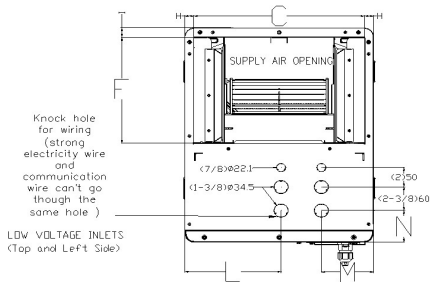
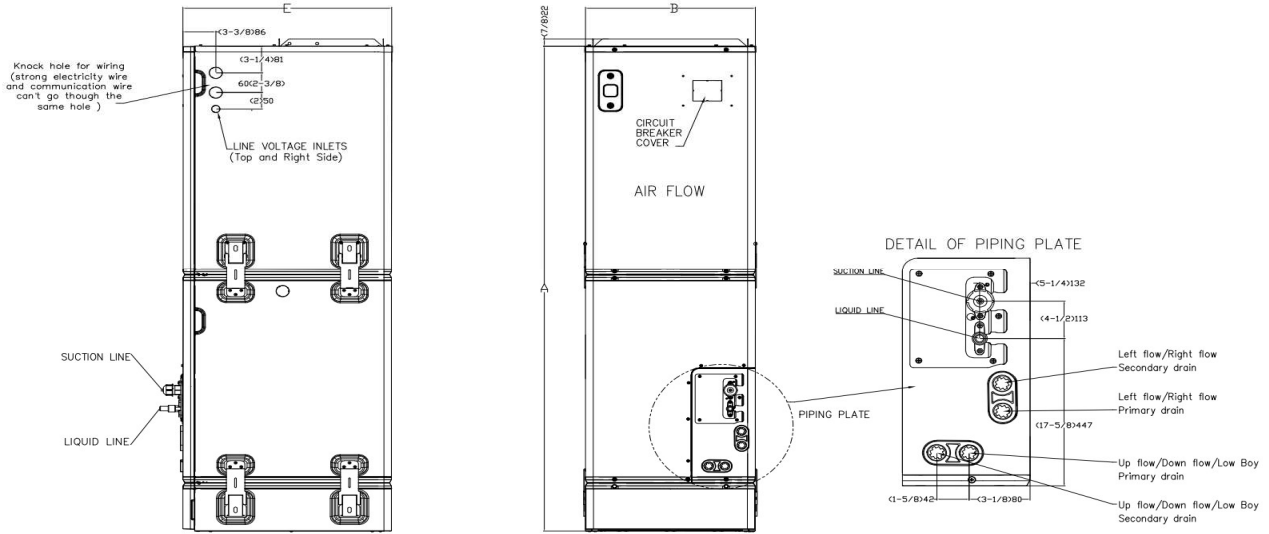
Indoor Power Supply	115/208/230V,60Hz,1Ph
Indoor MCA 115V/(208/230V)	14.5/10
Indoor MOP	15.0
Outdoor Power Supply	208/230V,60Hz,1Ph
Outdoor MCA	40.0
Outdoor MOP	40.0
Communication Wiring	AWG 20/2
Compressor RLA	31.0
Outdoor Fan Motor RLA	1.2
Outdoor Fan Motor W	85
Indoor Fan Motor RLA	8.0
Indoor Fan Motor W	1000
System Power Input @ Cooling (W)	4,500 (1,540 ~ 6,720)
System Power Input @ Heating (W)	4,800 (775 ~ 5,720)
MCA: Min. circuit amps (A)	MOCP: Max. over current protection (A)
RLA: Rated load amps (A)	W: Fan motor rated output (W)

PIPING

Throttle type(Indoor)	EXV
Throttle type(Outdoor)	EXV
Liquid Size	3/8" (9.52mm)
Gas Size	3/4" (19mm)
Max. Piping Length(ft/m)	246 (75)
Max. Height Difference(ft/m)	98 (30)
Max. Pre-charged Length(ft/m)	25 (7.5)
Refrigerant Pre-charged Amount(oz/kg)	183 (5.2)
Additional Charge of Refrigerant(oz/ft)/(g/m)	0.7 (65)
Connection Method	Flared

Indoor Unit Dimension

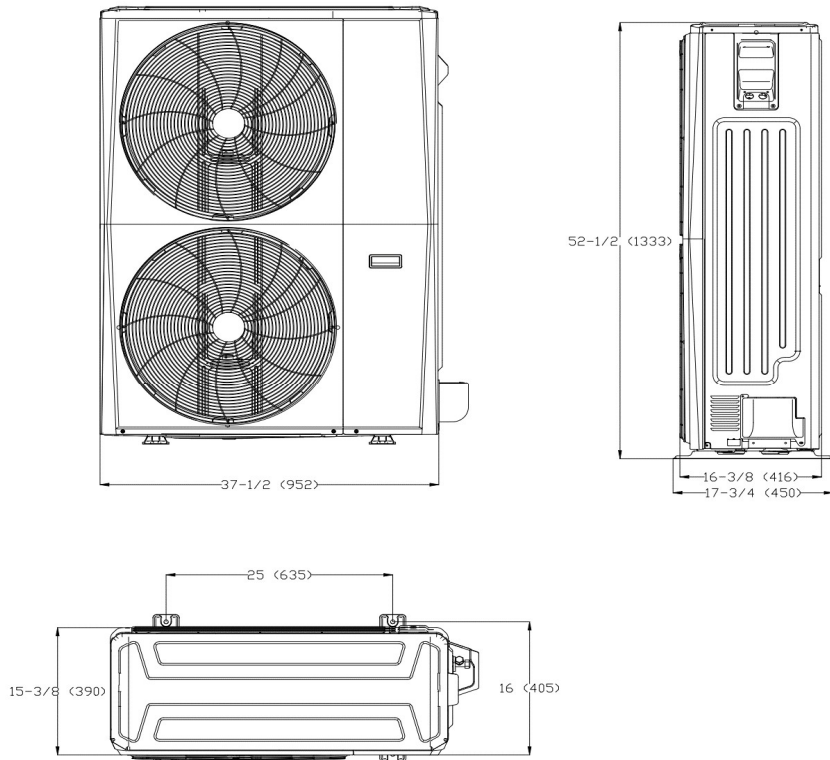
Unit: inch, mm



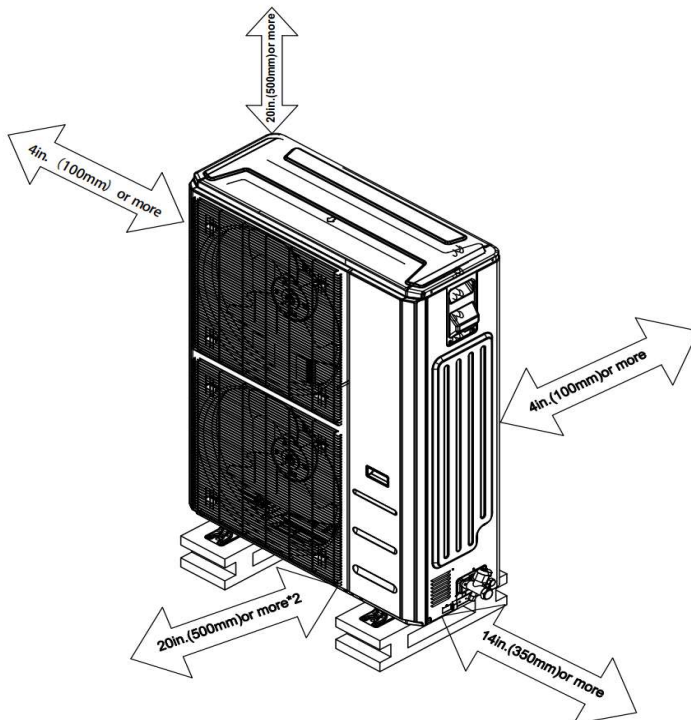
Dimensions	Model(Btu/h)	18K/24K		30K/36K		48K/54K	
		inch	mm	inch	mm	inch	mm
A	Model Height	53-7/8	1368	58-1/8	1476	60-1/8	1526
B	Model Width	14-4/8	368	17-4/8	445	21-4/8	546
C	Supply Air Opening Width	12-7/8	328	16	405	19-7/8	506
D	Return Air Opening Width	11-1/8	282	14-4/8	368	18-4/8	470
E	Model Depth	21-1/2	546	21-1/2	546	21-1/2	546
F	Supply Air Opening Depth	10-5/8	271	10-5/8	271	10-5/8	271
G	Return Air Opening Depth	19	484	19	484	19	484
H	Supply Air Opening Clearance	7/8	22	7/8	22	7/8	22
I	Return Air Opening Clearance	1	24	1	24	1	24
J	Return Air Opening Front Clearance	2-4/8	62	2-4/8	62	2-4/8	62
K	Return Air Opening Back Clearance	1-4/8	37	1-4/8	37	1-4/8	37
L	Top cover knock hole	/	/	9	229	10-7/8	275
M	Top cover knock hole	4-1/2	113	4-7/8	124	5-1/8	131
N	Top cover knock hole	2	51	2	51	1-5/8	41

Outdoor Unit Dimension

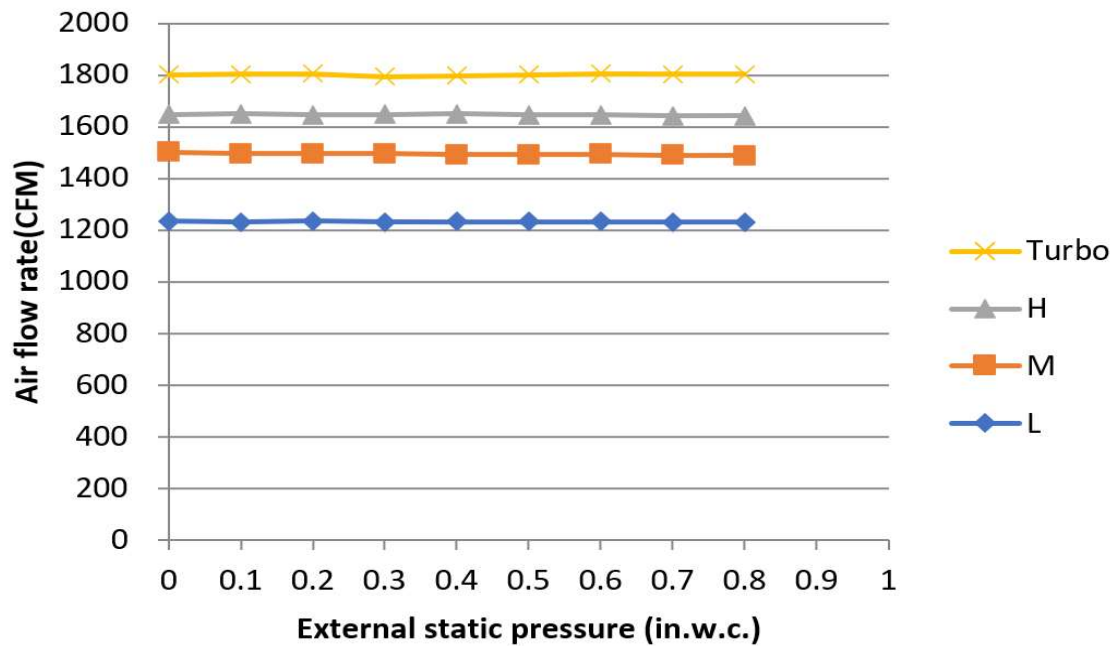
Unit: inch (mm)



Installation Instruction For Outdoor Unit



Fan Performance For Indoor Unit



Features

- Multi-position installation: horizontal(left or right), vertical(up or down)
- The IDU supports 115/230V voltage compatibility
- Aluminum Coil
- Constant Air Flow system: Up to 1.0 In.W.G
- Optional Auxiliary heat kit up to 25kW
- Easy Maintenance
- Multiple control options available:
 - Two-way communication wired controller:120N(X6)
 - Two-way communication wired controller with built-in Wi-Fi: 120N (X6W)
 - Wireless remote controller
 - Third-Party 24V Thermostat
- Adaptive Control System
- High efficiency up to 19 SEER2, 12.5 EER2, 10.8 HSPF2
- 100% heating output down to -13°F*
- Base pan heater and crankcase heater are equipped as standard

* When MAUSE-H36B-2A is paired with MO1SE-H36B-2A, its rated heating capacity at -13°F is 100%