

# SUBMITTAL DATA SHEET

Product Name: Remote Controller  
Model Number: RG10



## Wired Controller

Location: \_\_\_\_\_  
 Engineer: \_\_\_\_\_  
 Submitted to: \_\_\_\_\_  
 Submitted by: \_\_\_\_\_  
 Reference: \_\_\_\_\_

Approval: \_\_\_\_\_  
 Date: \_\_\_\_\_  
 Construction: \_\_\_\_\_  
 Unit #: \_\_\_\_\_  
 Drawing #: \_\_\_\_\_

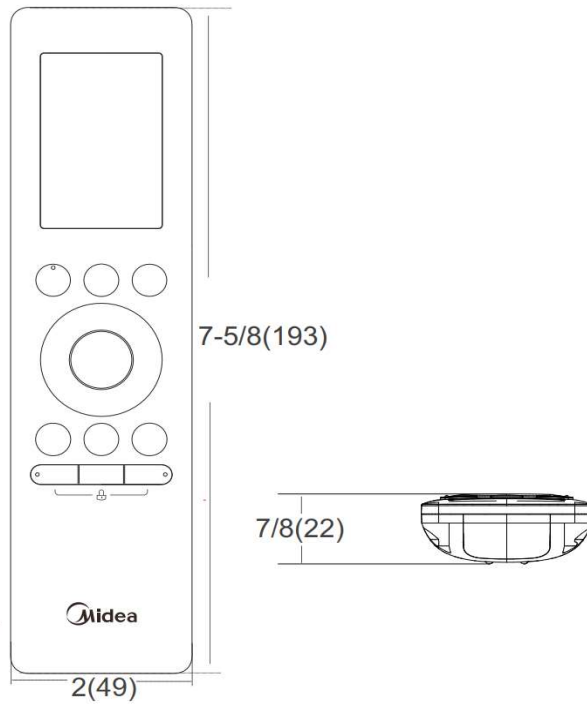
## SPECS

<b>Code</b>	17317000A68228 17317000012078 17317000012079 17317000013198 17317000012159	
<b>Model</b>	RG10L5(2HS) RG10L4(2HS) RG10R(2S) RG10L4(2S) RG10F8(2)	
<b>Power supply</b>	V	3.0V( Dry batteries R03/LR03×2)
<b>Product size (HxWxD)</b>	inch	2 x 7/8 x 7-5/8
	mm	49 x 22 x 193
<b>Signal Receiving Range</b>	ft	26.2
	m	8
<b>Operating Temperature Range</b>	°F	23~140
	°C	-5~60

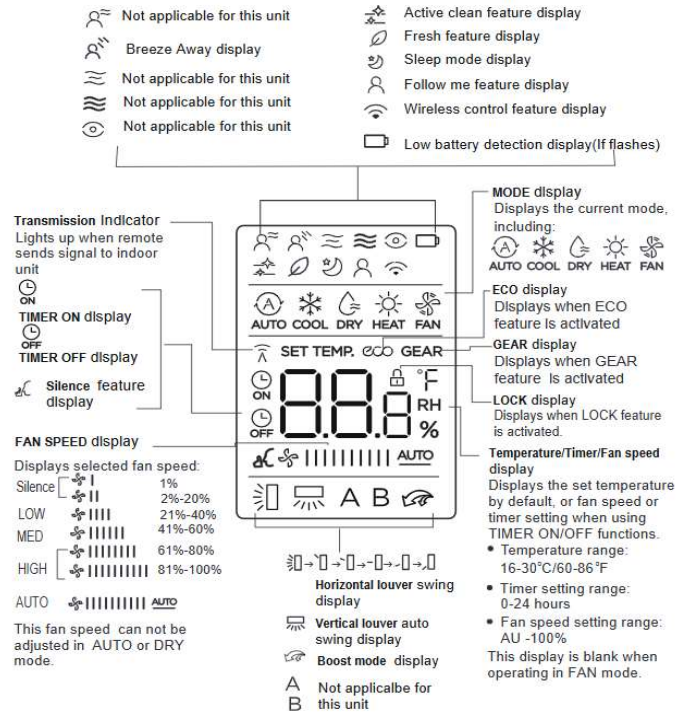


## Dimension

unit: inch (mm)

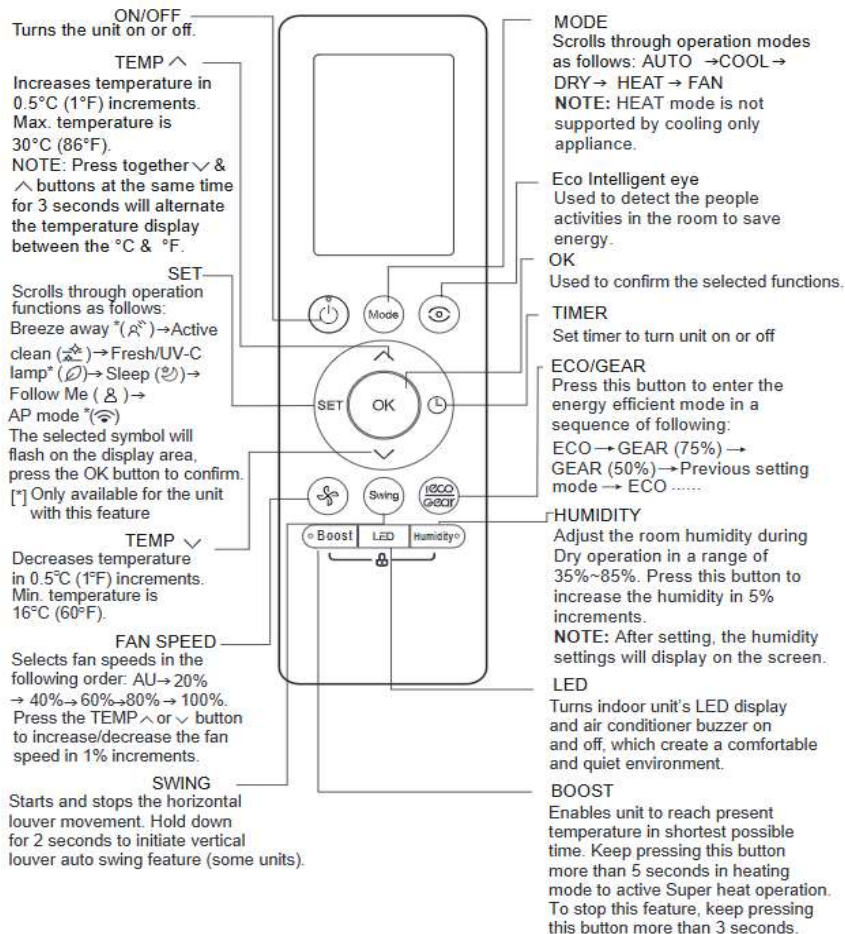


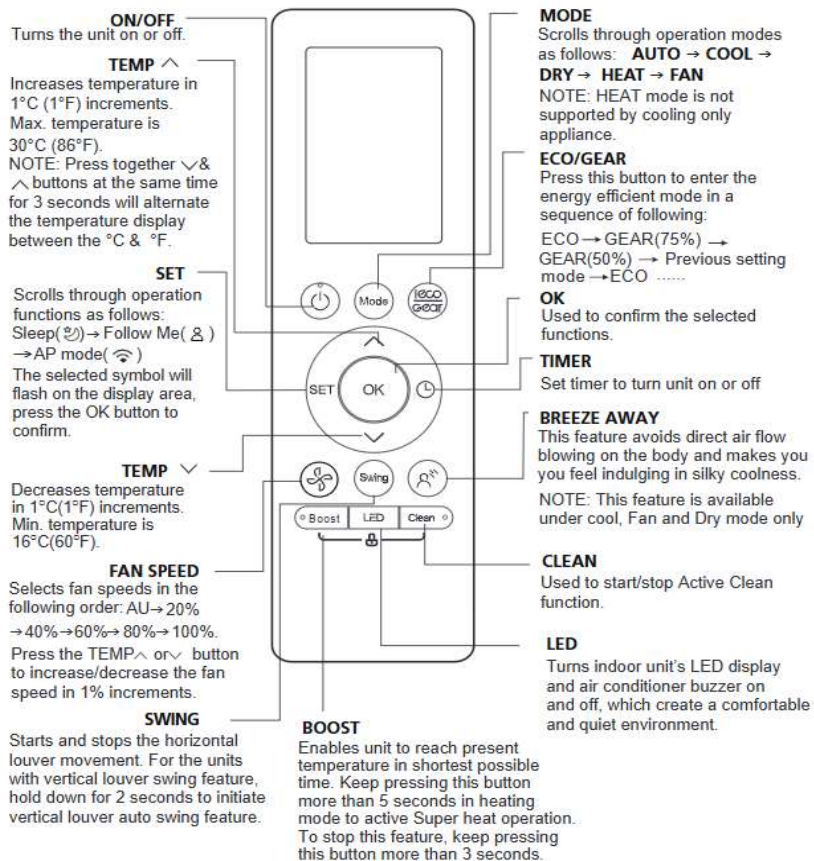
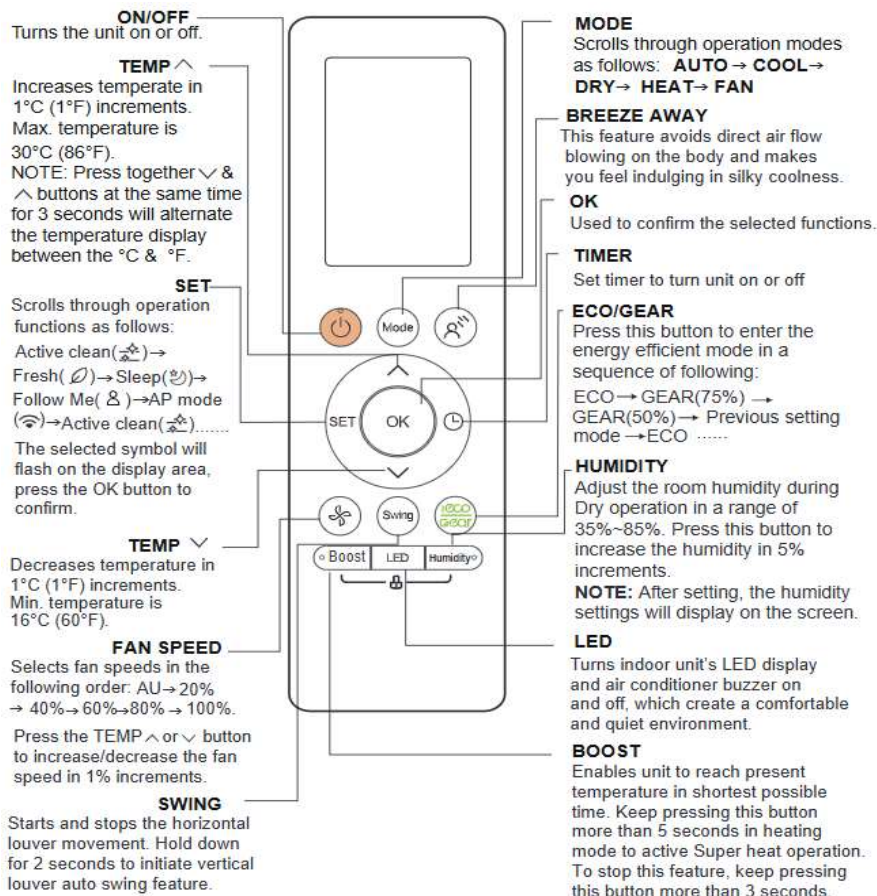
## Display



## Button and function

RG10L5(2HS)





RG10L4(2S)

**ON/OFF**  
Turns the unit on or off.

**TEMP ^**  
Increases temperature in 1°C (1°F) increments. Max. temperature is 30°C (86°F).  
NOTE: Press together & ^ buttons at the same time for 3 seconds will alternate the temperature display between the °C & °F.

**SET**  
Scrolls through operation functions as follows:  
Active clean (🌀) → Fresh (🌿) → Sleep (🌙) → Follow Me (👤) → AP mode (📶) → Active clean (🌀).....  
The selected symbol will flash on the display area, press the OK button to confirm.

**TEMP v**  
Decreases temperature in 1°C (1°F) increments. Min. temperature is 16°C (60°F).

**FAN SPEED**  
Selects fan speeds in the following order: AU → 20% → 40% → 60% → 80% → 100%.  
Press the TEMP ^ or v button to increase/decrease the fan speed in 1% increments.

**SWING**  
Starts and stops the horizontal louver movement. Hold down for 2 seconds to initiate vertical louver auto swing feature.

**MODE**  
Scrolls through operation modes as follows: **AUTO** → **COOL** → **DRY** → **HEAT** → **FAN**

**BREEZE AWAY**  
This feature avoids direct air flow blowing on the body and makes you feel indulging in silky coolness.

**OK**  
Used to confirm the selected functions.

**TIMER**  
Set timer to turn unit on or off

**ECO/GEAR**  
Press this button to enter the energy efficient mode in a sequence of following:  
ECO → GEAR(75%) → GEAR(50%) → Previous setting mode → ECO .....

**HUMIDITY**  
Adjust the room humidity during Dry operation in a range of 35%~85%. Press this button to increase the humidity in 5% increments.  
**NOTE:** After setting, the humidity settings will display on the screen.

**LED**  
Turns indoor unit's LED display and air conditioner buzzer on and off, which create a comfortable and quiet environment.

**BOOST**  
Enables unit to reach present temperature in shortest possible time. Keep pressing this button more than 5 seconds in heating mode to active Super heat operation. To stop this feature, keep pressing this button more than 3 seconds.

RG10F8(2)

**ON/OFF**  
Turns the unit on or off.

**TEMP ^**  
Increases temperature in 1°F (1°C) increments. Max. temperature is 86°F (30°C).

**SET**  
Scrolls through operation functions as follows:  
I SENSE (👤) → AP mode (📶) → I SENSE.....  
The selected symbol will flash on the display area, press the OK button to confirm.

**TEMP v**  
Decreases temperature in 1°F (1°C) increments. Min. temperature is 60°F (16°C).

**FAN SPEED**  
Selects fan speeds in the following order:  
AUTO → LOW → MED → HIGH

**TIMER ON**  
Sets timer to turn unit on (see How to Use Basic Functions for instructions).

**MODE**  
Scrolls through operation modes as follows: **AUTO** → **COOL** → **DRY** → **HEAT** → **FAN**

NOTE: Please do not select HEAT mode if the machine you purchased is cooling only type. Heat mode is not supported by the cooling only appliance.

**SHORTCUT**  
Used to restore the current settings or resume previous settings.

**OK**  
Used to confirm the selected functions

**SLEEP**  
Saves energy during sleeping hours.

**TIMER OFF**  
Sets timer to turn unit off (see How to Use Basic Functions for instructions).

°C/°F  
The temperature display between the °C & °F.

**LED**  
Turns indoor unit's LED display and air conditioner buzzer on and off, which create a comfortable and quiet environment.

**Turbo**  
Enables unit to reach present temperature in shortest possible time. Keep pressing this button more than 5 seconds in heating mode to active Super heat operation. To stop this feature, keep pressing this button more than 3 seconds.

Compatibility chart

	All Easy Pro	INFINI	Console	1-way cassette	4-way cassette	Ceiling&Floor	Slim duct	2nd Gen. AHU	3rd Gen. AHU	Wall Mounted AHU	Pancake	A-Coil
RG10L5(2HS)	Yes	No	Yes	No	Yes	No	No	No	No	No	No	No
RG10L4(2HS)	No	No	No	Yes	No	No	No	No	No	No	No	No
RG10R(2S)	No	Yes	No	No	No	No	Yes	No	No	No	No	No
RG10L4(2S)	No	No	No	No	No	Yes	No	No	No	No	No	No
RG10L8(2)	No	No	No	No	No	No	No	Yes	Yes	Yes	Yes	No