

SUBMITTAL DATA SHEET

Product Name: Wired Controller
Model Number: KJR-120N(X6W)



Wired Controller

Location: _____
 Engineer: _____
 Submitted to: _____
 Submitted by: _____
 Reference: _____

Approval: _____
 Date: _____
 Construction: _____
 Unit #: _____
 Drawing #: _____

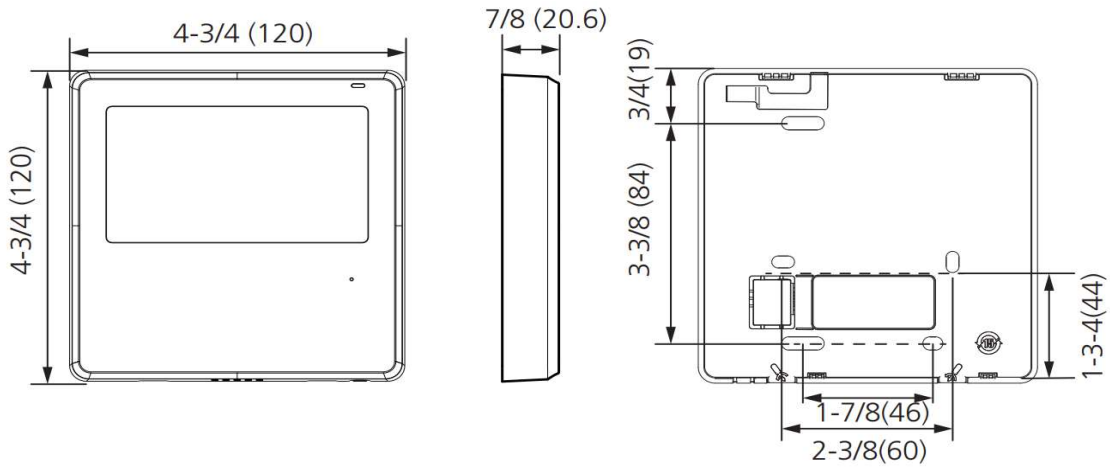
SPECS

Code	17317100009536	
Model	KJR-120N(X6W)	
Power supply	V	12 VDC
Product size (HxWxD)	inch	4-3/4 x 4-3/4 x 7/8
	mm	120 x 120 x 20.6
Net weight	lbs	0.46
	kg	0.21
Ambient temperature	°F	32-110
	°C	0-43
Ambient humidity	RH	40%-90%
Material	Front panel	PC/ABS
	Back cover	PC/ABS

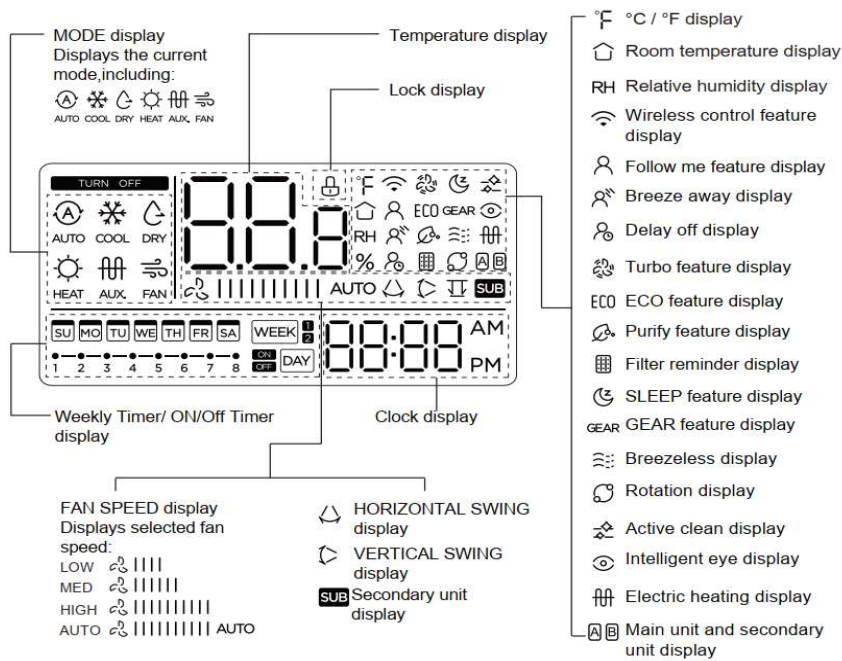


Dimension

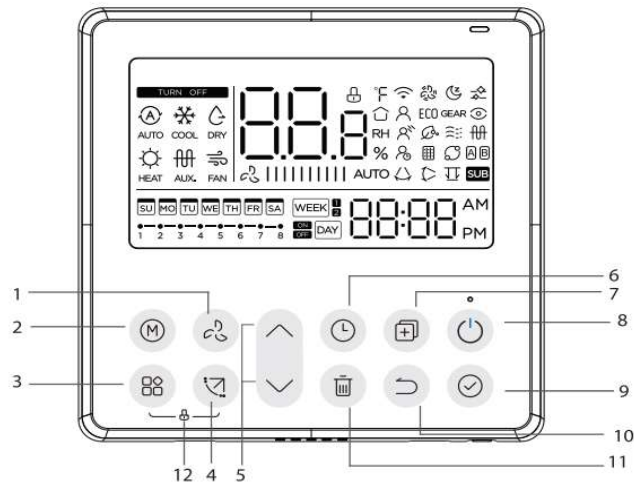
unit: inch (mm)



Display



Button



- | | |
|--------------------|-------------------------|
| 1 FAN SPEED button | 7 COPY button |
| 2 MODE button | 8 POWER button |
| 3 FUNC. button | 9 CONFIRM button |
| 4 SWING button | 10 BACK button |
| 5 ADJUST button | 11 DAY OFF/DELAY button |
| 6 TIMER button | 12 CHILD LOCK button |

