

R454b
Refrigerant

SUBMITTAL DATA SHEET



Series Name: Advanced Heat AHU Series
Model Number: MAUHE-H24B-2A/MO1BE-H24B-2A

Air Handler Heat Pump System

Location:	Approval:
Engineer:	Date:
Submitted to:	Construction:
Submitted by:	Unit #:
Reference:	Drawing #:



INDOOR SPECIFICATION

Indoor Air Flow (Turbo/H/M/L/Si) (CFM)	824 / 759 / 694 / 630 / 630	
Indoor Noise Level (Turbo/H/M/L/Si) (dBA)	44 / 44 / 42 / 28 / 28	
Dimension (W×D×H)	inch	17-1/2 x 21 x 45
	mm	445 x 534 x 1143
Package (W×D×H)	inch	20-7/8 x 26-1/2 x 48-5/8
	mm	530 x 675 x 1235
Net/Gross Weight	lbs	106 / 127
	kg	47.9 / 57.8

OUTDOOR SPECIFICATION

Compressor Type	ROTARY	
Compressor Model	KTM240D46UKT2	
Refrigerant	R454B	
Refrigerant Oil Charge(mL)	620	
Refrigerant Oil	VG74	
Outdoor Air Flow (Max) (CFM)	1,766	
Outdoor Noise Level (dBA)	60	
Dimension (W×D×H)	inch	35 x 13-1/2 x 26-1/2
	mm	890 x 342 x 673
Package (W×D×H)	inch	39-1/8 x 15-5/8 x 29-1/8
	mm	995 x 398 x 740
Net/Gross Weight	lbs	102 / 109
	kg	46.4 / 49.5

EFFICIENCY

Cooling		Heating	
SEER2	18.1	HSPF2-4	9.7
EER2	11.0	COP	3.18

PERFORMANCE of Cooling

Cooling (Btu/hr)	
Rated Capacity	24,000
Min/Max Capacity	7,200 ~ 2,7000
Moisture Removal(L/h)	2.38
Standard Operating Range(°F/°C)	-13~122(-25 ~ 50)
Rated Cooling Conditions:	Indoor: 80°F DB/67°F WB Outdoor: 95°F DB/75°F WB

PERFORMANCE of Heating

Heating (Btu/hr)	
1. @ 47°F Rated	26,000
2. @ 47°F Min/Max Capacity	7,100 ~ 30,000
3. @ 17°F Rated	20,000
4. @ 5°F Rated: Capacity / COP	21,600/1.87
5. @ 5°F Max: Capacity	21,600
Standard Operating Range(°F/°C)	-13~75(-25 ~ 24)
1. Rated Heating Conditions:	Indoor: 70°F DB/60°F WB Outdoor: 47°F DB/43°F WB
2. Rated Heating Conditions:	Indoor: 70°F DB/60°F WB Outdoor: 17°F DB/15°F WB
3. Heating Conditions, Compressor Operating at Max. Frequency	Indoor: 70°F DB/60°F WB Outdoor: 5°F DB/5°F WB

ELECTRICAL

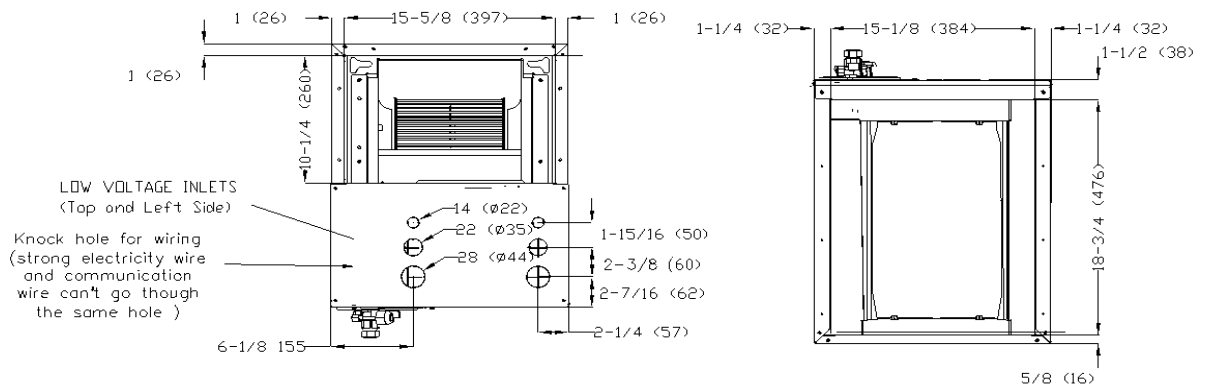
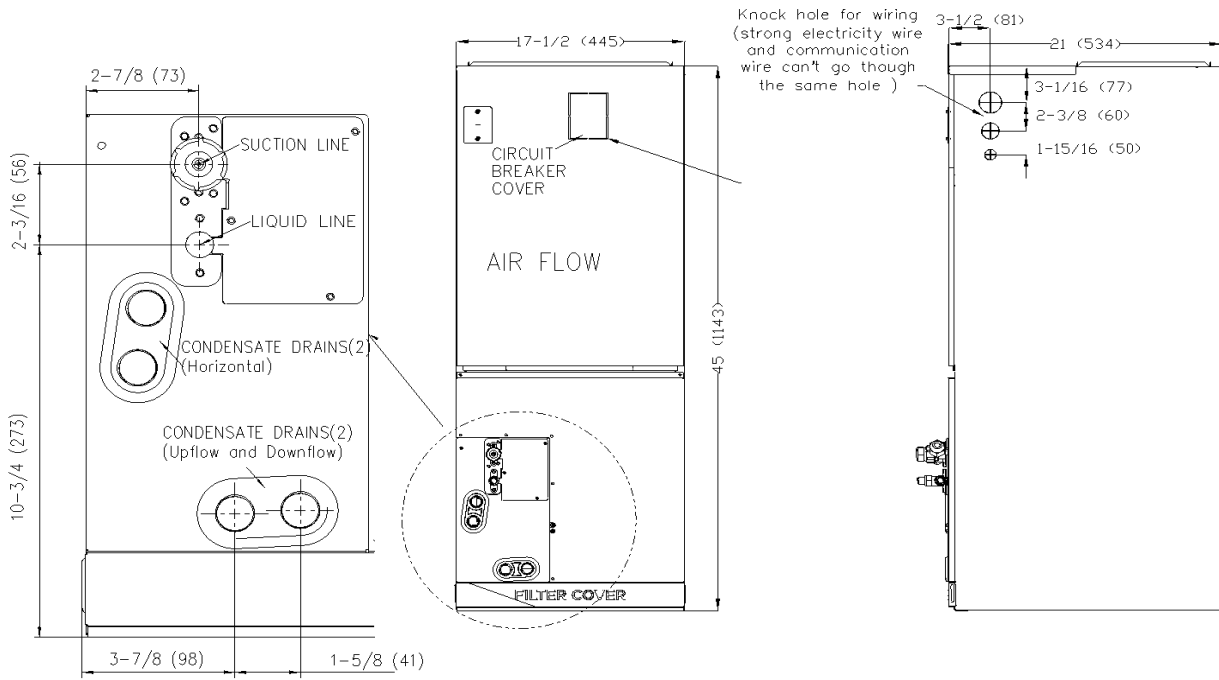
Indoor Power Supply	115/208/230V,60Hz,1Ph	
Indoor MCA 115V/(208/230V)	5.5/4.0	
Indoor MOP	15.0	
Outdoor Power Supply	208/230V,60Hz,1Ph	
Outdoor MCA	19.0	
Outdoor MOP	20.0	
Communication Wiring	AWG 20/2	
Compressor RLA	14.0	
Outdoor Fan Motor RLA	1.0	
Outdoor Fan Motor W	80	
Indoor Fan Motor RLA	3.0	
Indoor Fan Motor W	250	
System Power Input @ Cooling (W)	2,181 (530 ~ 2,870)	
System Power Input @ Heating (W)	2,396 (440 ~ 2,730)	
MCA: Min. circuit amps (A)	MOCP: Max. over current protection (A)	
RLA: Rated load amps (A)	W: Fan motor rated output (W)	

PIPING

Throttle type(Indoor)	EXV
Throttle type(Outdoor)	EXV
Liquid Size	3/8" (9.52mm)
Gas Size	3/4" (19mm)
Max. Piping Length(ft/m)	164 (50)
Max. Height Difference(ft/m)	82 (25)
Max. Pre-charged Length(ft/m)	25 (7.5)
Refrigerant Pre-charged Amount(oz/kg)	74 (2.1)
Additional Charge of Refrigerant(oz/ft)/(g/m)	0.7 (65)
Connection Method	Flared

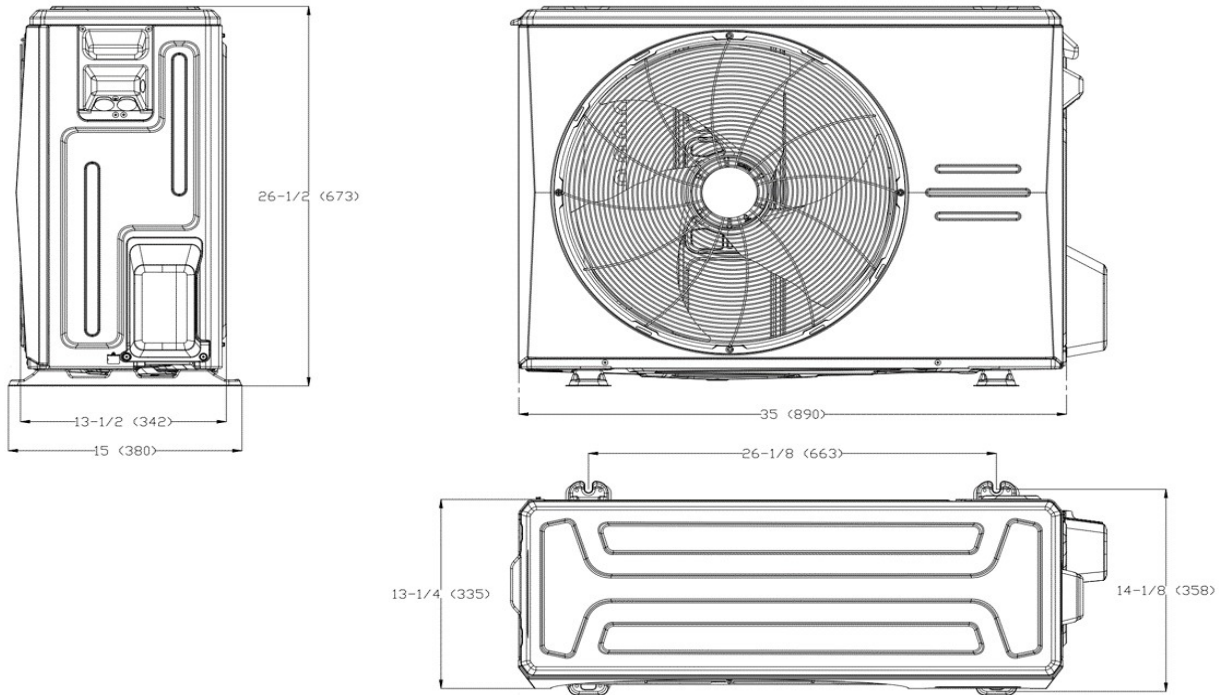
Indoor Unit Dimension

Unit:inch(mm)

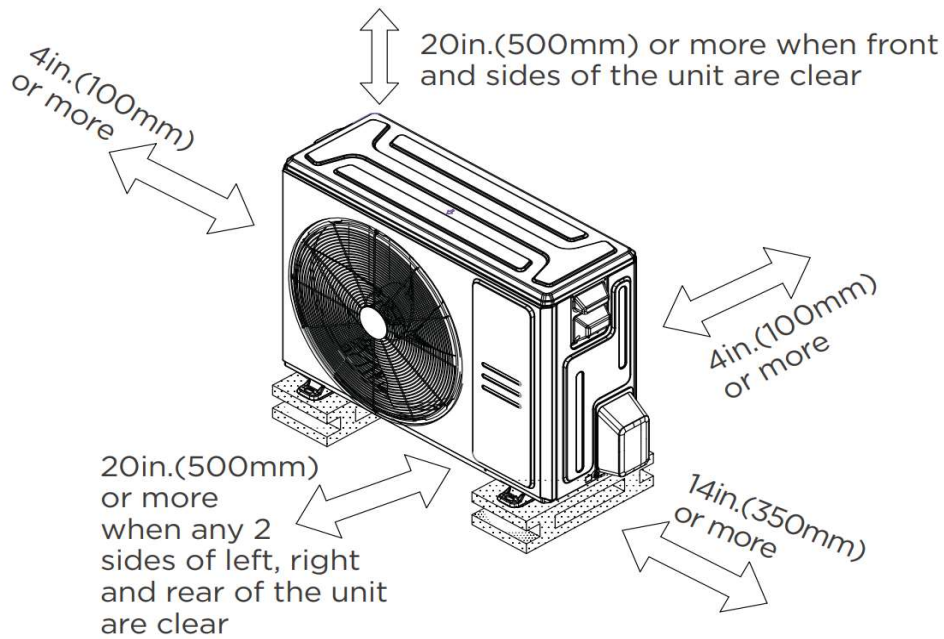


Outdoor Unit Dimension

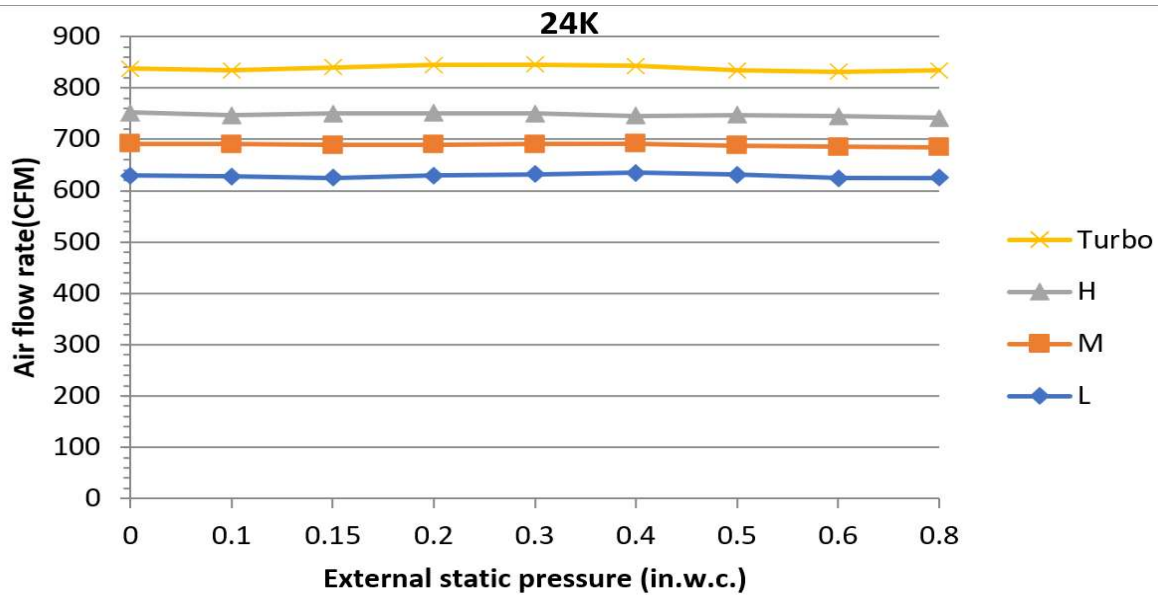
Unit:inch(mm)



Installation Instruction For Outdoor Unit



Fan Performance For Indoor Unit



Features

- Multi-position installation: horizontal(left or right), vertical(up or down)
- Aluminum Coil
- Constant Air Flow system: Up to 0.80 In.W.G
- 1 inch R-4.2 fiberglass insulation reduces condensation and boosts efficiency(optional)
- Optional Auxiliary heat kit up to 25kW
- Easy Maintenance
- Multiple control options available:
 - Two-way communication wired controller:120N(X6)
 - Two-way communication wired controller with built-in Wi-Fi: 120N (X6W)
 - Wireless remote controller
 - Third-Party 24V Thermostat
- Adaptive Control System
- High efficiency up to 18.8 SEER2, 11 EER2, 9.7 HSPF2
- Base pan heater and crankcase heater are equipped as standard