

SUBMITTAL DATA SHEET

Product Name: M-Station
Model Number: MTL04-1



Wired Controller

Location: _____
 Engineer: _____
 Submitted to: _____
 Submitted by: _____
 Reference: _____

Approval: _____
 Date: _____
 Construction: _____
 Unit #: _____
 Drawing #: _____

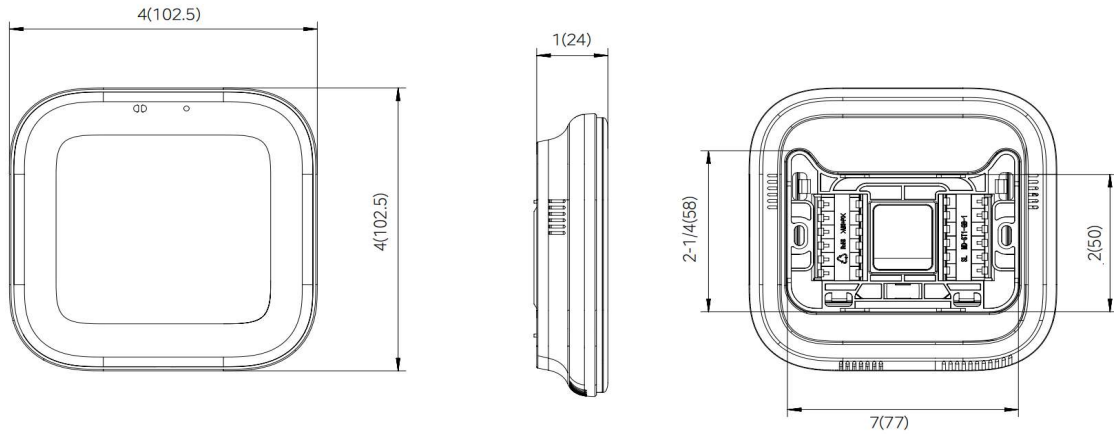
SPECS

Code		
Model	MTL04-1	
Power supply	V	HA-HB: Max 20Vdc R-Rc: 24Vac
Product size (WxDxH)	inch	4 x 1 x 4
	mm	102.5 x 24.6 x 102.5
Net weight	lbs	0.45
	kg	0.2
Ambient temperature	°F	32-95
	°C	0-35
Ambient humidity	RH	30%-80%
Material	Front panel	Glass
	Back cover	PC/ABS

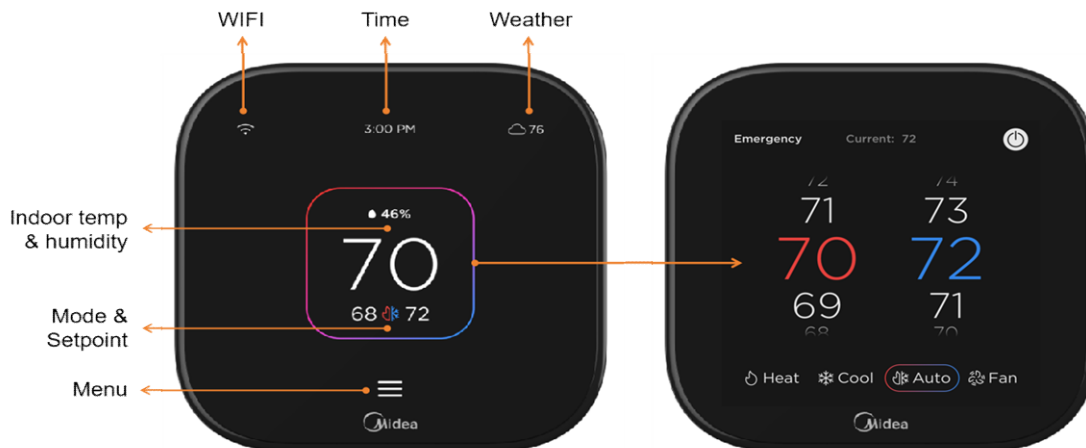


Dimension

unit: inch (mm)



Display



Feature and function

Basic functions

- TFT 4 inch touch screen
- Temperature and humidity sensor
- Motion sensor(Detection distance: 1m)
- Schedule
- App remote control
- Fahrenheit/Celsius
- Screen Clean
- Speaker
- Weather Forecast
- Comfort Presets
- Vacation
- OTA

HA HB Communication

- Mode: Dual Auto-Heat-Cool-Fan-Emergency Heat
- Fan speed: Auto-Low-Med-High
- Dehumidification
- iCheck
- iService
- Update IDU software
- Freeze Protection

R Rc 24V

- Conventional(2H/2C)-Boiler, Furnace, electric(2 stage heating)
- Heat pumps (2 stage heat pump + 2 stage aux heat) (4H/2C). Dual-Fuel support.
- Wires detection
- Mode: Dual Auto-Heat-Cool-Emergency Heat

Compatibility chart

	All Easy Pro	INFINI	Console	1-way cassette	4-way cassette	Ceiling&Floor	Slim duct	2nd Gen. AHU	3rd Gen. AHU	Wall Mounted AHU	Pancake	A-Coil
	Yes*	Yes*	Yes*	Yes	Yes	Yes	Yes	Yes	Yes	Yes	Yes	Yes

*Need to match 24V mini box