

# SUBMITTAL DATA SHEET



Series Name: Electric Heater  
Model Number: EAH-20E(UL)

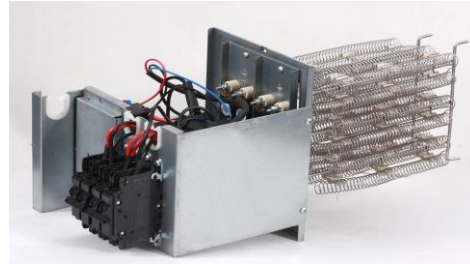
## Heater

Location: \_\_\_\_\_  
 Engineer: \_\_\_\_\_  
 Submitted to: \_\_\_\_\_  
 Submitted by: \_\_\_\_\_  
 Reference: \_\_\_\_\_

Approval: \_\_\_\_\_  
 Date: \_\_\_\_\_  
 Construction: \_\_\_\_\_  
 Unit #: \_\_\_\_\_  
 Drawing #: \_\_\_\_\_

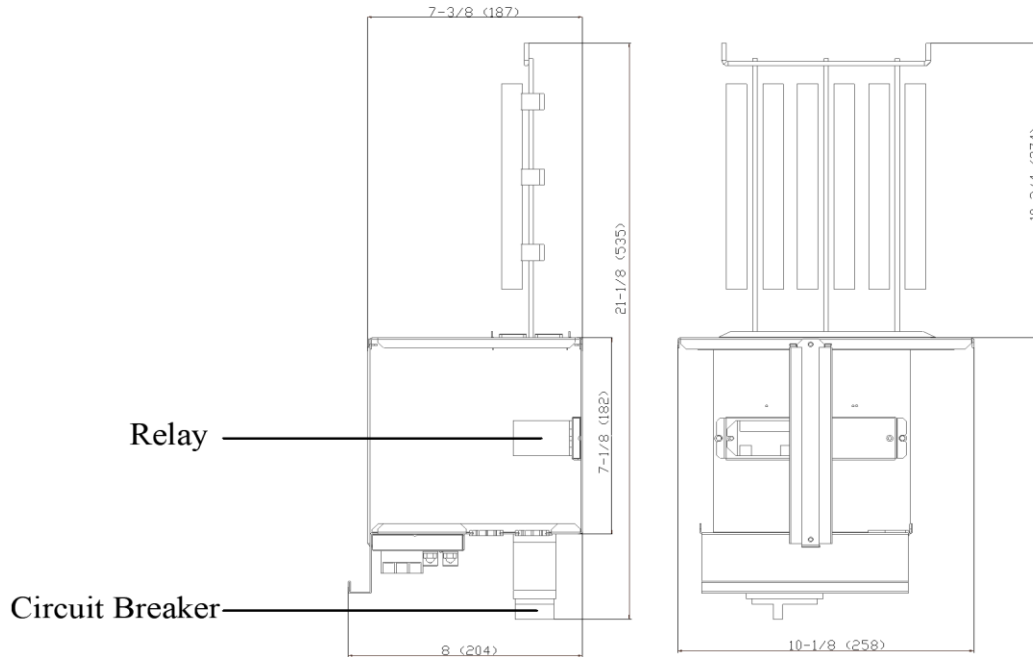
## SPECS

<b>Code</b>	22013201000043	
<b>Model</b>	EAH-20E(UL)	
<b>Normal Operational Voltage</b>	(V, Ph, Hz)	208 / 230, 1, 60
<b>Current</b>	A	72.1 / 80
<b>Heat Power</b>	kW	15 / 18.4
<b>MCA(Circuit 1)</b>	A	46 / 53
<b>MAX. FUSE(Circuit 1)</b>	A	50 / 60
<b>MCA(Circuit 2)</b>	A	46 / 53
<b>MAX. FUSE(Circuit 2)</b>	A	50 / 60
<b>Heater dimension</b>	mm	535 x 258 x 204
	inch	21-1/8 x 10-1/8 x 8
<b>Packaging dimension</b>	mm	610 x 365 x 260
	inch	24 x 14-3/8 x 10-1/4
<b>Net Weight</b>	kg	4.6
	lbs	9.3
<b>Gross Weight</b>	kg	7.1
	lbs	15.7



## Heater dimension

unit: Inch (mm)

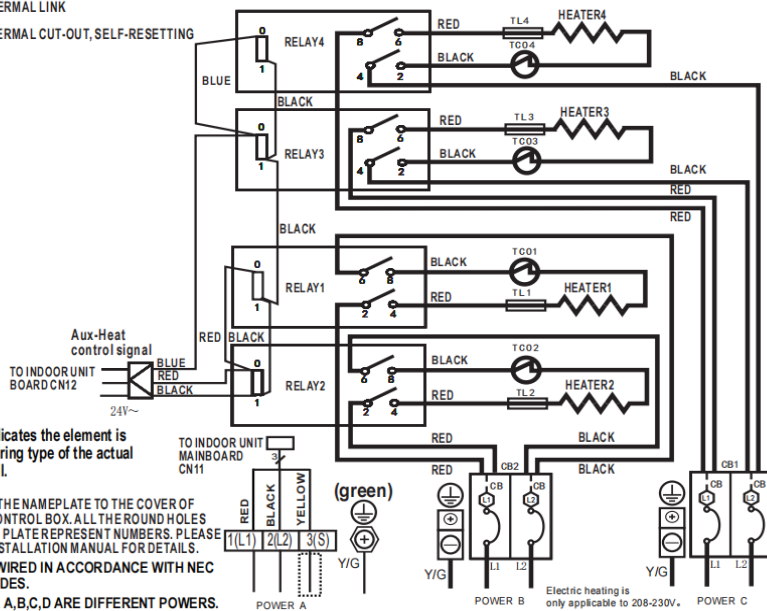


Wiring diagram

### 20KW HEAT KIT

: THERMAL LINK

: THERMAL CUT-OUT, SELF-RESETTING



NOTE1: This symbol indicates the element is optional. The wiring type of the actual unit shall prevail.

NOTE2: PLEASE ATTACH THE NAMEPLATE TO THE COVER OF THE ELECTRIC CONTROL BOX. ALL THE ROUND HOLES LOCATED ON THE PLATE REPRESENT NUMBERS. PLEASE REFER TO THE INSTALLATION MANUAL FOR DETAILS.

NOTE3: TO BE WIRED IN ACCORDANCE WITH NEC AND LOCAL CODES.

NOTE4: POWER A, B, C, D ARE DIFFERENT POWERS.

Round hole number	Relay number	Round hole number	Circuit breaker number
	RELAY1		CB1
	RELAY2		CB2
	RELAY3		
	RELAY4		

The wiring mode of power supply A shall be based on the type of original wiring terminal of AHU; for type A, S position must be connected to the outdoor S; for type B, S position shall not be connected. When using 115VAC, connect L1 and L2 (L2 is used as N).