

R454b Refrigerant

SUBMITTAL DATA SHEET



Series Name: Multi Zone Regular Heat Series
Model Number: [MO4EX-H27B-2A](#)

Multi Zone Heat Pump System

Location:	Approval:
Engineer:	Date:
Submitted to:	Construction:
Submitted by:	Unit #:
Reference:	Drawing #:



OUTDOOR SPECIFICATION

Compressor Type	ROTARY	
Compressor Model	KTM240D46UKT2	
Refrigerant	R454B	
Refrigerant Oil Charge(mL)	620	
Refrigerant Oil	V74	
Outdoor Air Flow (Max) (CFM)	2131	
Outdoor Noise Level (dBA)	61	
Dimension (WxDxH)	inch	37-1/4 x 16-1/8 x 31-7/8
	mm	946 x 410 x 810
Package (WxDxH)	inch	42-7/8 x 19-5/8 x 34-7/8
	mm	1090 x 500 x 885
Net/Gross Weight	lbs	139 / 150
	kg	63.0 / 67.9

ELECTRICAL

Power Supply	208/230V,60Hz,1Ph
System MCA	23.0
Connection Wiring	AWG 14/4
System MOCP	25.0
Compressor RLA	12.1
Outdoor Fan Motor RLA	1.2
Outdoor Fan Motor W	120
Indoor Fan Motor RLA	/
Indoor Fan Motor W	/
System Power Input @ Cooling (W)	2,076 (500-2,730)
System Power Input @ Heating (W)	2,080 (500-2,400)
MCA: Min. circuit amps (A)	MOCP: Max. over current protection (A)
RLA: Rated load amps (A)	W: Fan motor rated output (W)

EFFICIENCY

Cooling		Heating	
SEER2	25.0	HSPF2-4	9.5
EER2	13	COP	3.8

PERFORMANCE of Cooling

Cooling (Btu/hr)	
Rated Capacity	27,000
Min/Max Capacity	7,200-32,000
Moisture Removal(L/h)	0.8
Standard Operating Range(*F/*C)	-13~122 (-25~50)
Rated Cooling Conditions:	Indoor: 80°F DB/67°F WB Outdoor: 95°F DB/75°F WB

PERFORMANCE of Heating

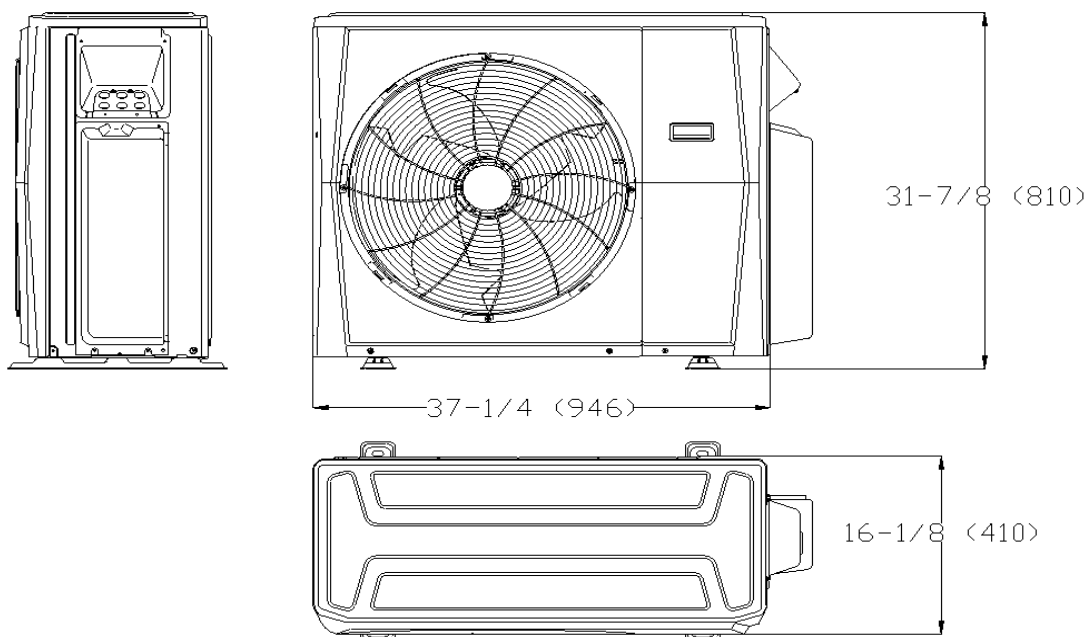
Heating (Btu/hr)	
1. @ 47°F Rated	27,000
1. @ 47°F Min/Max Capacity	8,400-29,000
2. @ 17°F Rated(H32)	18,400
3. @ 5°F Rated: Capacity / COP(H42)	19,000 / 2
3. @ 5°F Max: Capacity	19,000
Standard Operating Range(*F/*C)	-13~75 (-25~24)
1. Conditions:	Indoor: 70°F DB/60°F WB Outdoor: 47°F DB/43°F WB
2. Conditions:	Indoor: 70°F DB/60°F WB Outdoor: 17°F DB/15°F WB
3. Conditions:	Indoor: 70°F DB/60°F WB Outdoor: 5°F DB/5°F WB

PIPING

Liquid Size	4 x 1/4" (4 x 6.35 mm)
Gas Size	3/8 x 3/8 + 1/2 x 1/2 (3 x 9.52 + 12.7 x 12.7 mm)
Max. Piping Length for all rooms(ft/m)	262 (80)
Max. Piping Length for one IDU(ft/m)	115 (35)
ax. Height Difference of IDU and ODU(ft/m)	49 (15)
Refrigerant Pre-charged Amount(oz/kg)	85 (2.4)
Refrigerant Precharge Length(ft/m)	25 (7.5) x 4
Additional Charge of Refrigerant (Φ6.35 (1/4") liquid pipe) ((oz/ft)/(g/m))	0.16 (15)
Additional Charge of Refrigerant (Φ9.52 (3/8") liquid pipe) ((oz/ft)/(g/m))	0.32 (30)
Connection Method	Flared

Outdoor Unit Dimension

Unit: inch (mm)



Installation Instruction

