

R454b Refrigerant

SUBMITTAL DATA SHEET



Series Name: Multi Zone Xtreme Heat Series
Model Number: [MO6HX-H60B-2A](#)

Multi Zone Heat Pump System

Location:	Approval:
Engineer:	Date:
Submitted to:	Construction:
Submitted by:	Unit #:
Reference:	Drawing #:



OUTDOOR SPECIFICATION

Compressor Type	TWIN-ROTARY	
Compressor Model	EKPQ440D1UMUB	
Refrigerant	R454B	
Refrigerant Oil Charge(mL)	1300	
Refrigerant Oil	VG75	
Outdoor Air Flow (Max) (CFM)	4503	
Outdoor Noise Level (dBA)	65	
Dimension (WxDxH)	inch	37-1/2 x 16-5/16 x 52-1/2
	mm	952 x 415 x 1333
Package (WxDxH)	inch	43-1/8 x 19-1/2 x 58-1/4
	mm	1095 x 495 x 1480
Net/Gross Weight	lbs	247 / 277
	kg	111.8 / 125.5

ELECTRICAL

Power Supply	208/230V,60Hz,1Ph
System MCA	39.5
Connection Wiring	AWG 14/4
System MOCP	40
Compressor RLA	28
Outdoor Fan Motor RLA	2.5
Outdoor Fan Motor W	85
Indoor Fan Motor RLA	/
Indoor Fan Motor W	/
System Power Input @ Cooling (W)	4,250 (1,200-5,400)
System Power Input @ Heating (W)	4,605 (1,200-5,200)
MCA: Min. circuit amps (A)	MOCP: Max. over current protection (A)
RLA: Rated load amps (A)	W: Fan motor rated output (W)

EFFICIENCY

Cooling		Heating	
SEER2	22.2	HSPF2-4	10.5
EER2	12	COP	3.5

PERFORMANCE of Cooling

Cooling (Btu/hr)	
Rated Capacity	51,000
Min/Max Capacity	19,000-59,000
Moisture Removal(L/h)	2.5
Standard Operating Range(*F/*C)	-22~-122 (-30~-50)
Rated Cooling Conditions:	Indoor: 80°F DB/67°F WB Outdoor: 95°F DB/75°F WB

PERFORMANCE of Heating

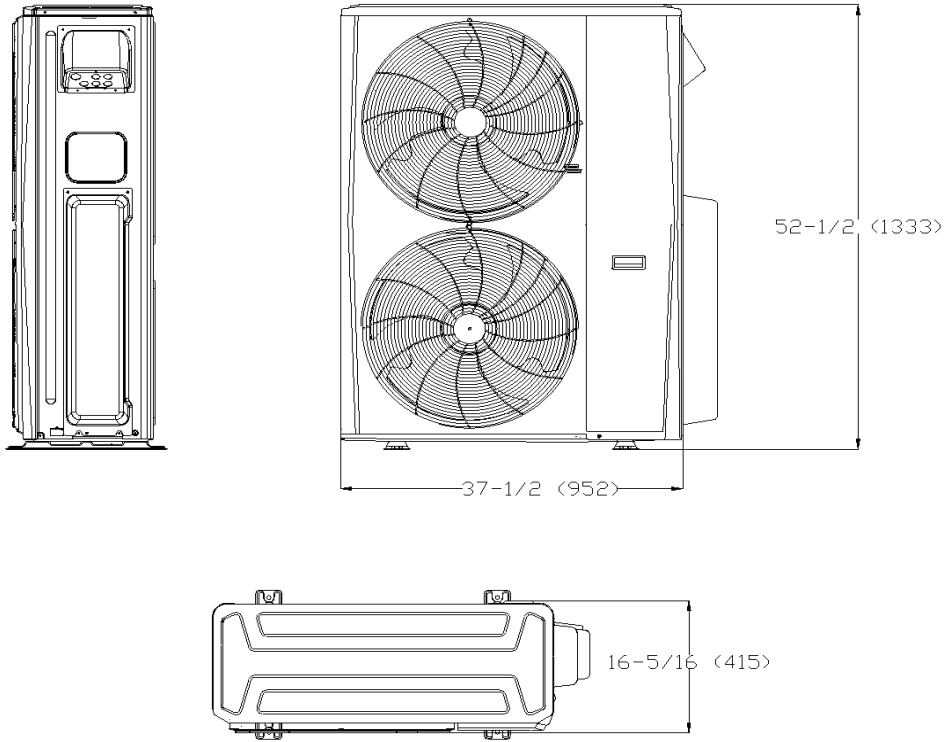
Heating (Btu/hr)	
1. @ 47°F Rated	55,000
1. @ 47°F Min/Max Capacity	20,000-59,000
2. @ 17°F Rated(H32)	44,000
3. @ 5°F Rated: Capacity / COP(H42)	47,000 / 2
3. @ 5°F Max: Capacity	47,000
Standard Operating Range(*F/*C)	-22~-75 (-30~-24)
1. Conditions:	Indoor: 70°F DB/60°F WB Outdoor: 47°F DB/43°F WB
2. Conditions:	Indoor: 70°F DB/60°F WB Outdoor: 17°F DB/15°F WB
3. Conditions	Indoor: 70°F DB/60°F WB Outdoor: 5°F DB/5°F WB

PIPING

Liquid Size	6 x 1/4" (6 x 6.35 mm)
Gas Size	4 x 3/8" +2 x 1/2" (4 x 9.52 +2 x 12.7 mm)
Max. Piping Length for all rooms(ft/m)	262 (80)
Max. Piping Length for one IDU(ft/m)	115 (35)
ax. Height Difference of IDU and ODU(ft/m)	49 (15)
Refrigerant Pre-charged Amount(oz/kg)	152 (4.3)
Refrigerant Precharge Length(ft/m)	25 (7.5) x 6
Additional Charge of Refrigerant (Φ6.35 (1/4") liquid pipe) ((oz/ft)/(g/m))	0.16 (15)
Additional Charge of Refrigerant (Φ9.52 (3/8") liquid pipe) ((oz/ft)/(g/m))	0.32 (30)
Connection Method	Flared

Outdoor Unit Dimension

Unit: inch (mm)



Installation Instruction

