

R454b Refrigerant

SUBMITTAL DATA SHEET



Series Name: EP Xtreme Heat Series
Model Number: M5EHU-H12B-2A/MO1HS-H12B-2A

High Wall Heat Pump System

Location:	Approval:
Engineer:	Date:
Submitted to:	Construction:
Submitted by:	Unit #:
Reference:	Drawing #:



INDOOR SPECIFICATION

Indoor Air Flow (Turbo/H/M/L/Si) (CFM)	441 / 324 / 230 / 177 / 147
Indoor Noise Level (Turbo/H/M/L/Si) (dBA)	47 / 37 / 33 / 22 / 20
Dimension (WxDxH)	inch 31-3/8 x 8-7/8 x 11-5/8
	mm 795 x 225 x 295
Package (WxDxH)	inch 36-1/4 x 12-1/4 x 14-5/8
	mm 920 x 310 x 370
Net/Gross Weight	lbs 23 / 30
	kg 10.4 / 13.3

OUTDOOR SPECIFICATION

Compressor Type	ROTARY
Compressor Model	KTN110D42UFZ
Refrigerant	R454B
Refrigerant Oil Charge(mL)	350
Refrigerant Oil	VG74
Outdoor Air Flow (Max) (CFM)	1,471
Outdoor Noise Level (dBA)	56
Dimension (WxDxH)	inch 31-3/4 x 13 x 21-3/4
	mm 805 x 330 x 554
Package (WxDxH)	inch 36 x 14-5/8 x 24-1/2
	mm 915 x 370 x 615
Net/Gross Weight	lbs 73/79
	kg 33/35.7

EFFICIENCY

Cooling		Heating	
SEER2	25.4	HSPF2-4	10.5
EER2	13.4	COP	3.76

PERFORMANCE of Cooling

Cooling (Btu/hr)	
Rated Capacity	12,000
Min/Max Capacity	3,800~14,600
Moisture Removal(L/h)	1.2
Standard Operating Range(*F/*C)	-22~122 (-30 ~ 50)
Conditions:	Indoor: 80°F DB/67°F WB Outdoor: 95°F DB/75°F WB

PERFORMANCE of Heating

Heating (Btu/hr)	
1. @ 47°F Rated	12,000
1. @ 47°F Min/Max Capacity	3,800~16,000
2. @ 17°F Rated	9,800
3. @ 5°F Rated: Capacity / COP	11,500 / 1.80
3. @ 5°F Max: Capacity	11,500
Standard Operating Range(*F/*C)	-22~75 (-30 ~ 24)
1. Conditions:	Indoor: 70°F DB/60°F WB Outdoor: 47°F DB/43°F WB
2. Conditions:	Indoor: 70°F DB/60°F WB Outdoor: 17°F DB/15°F WB
3. Conditions:	Indoor: 70°F DB/60°F WB Outdoor: 5°F DB/5°F WB

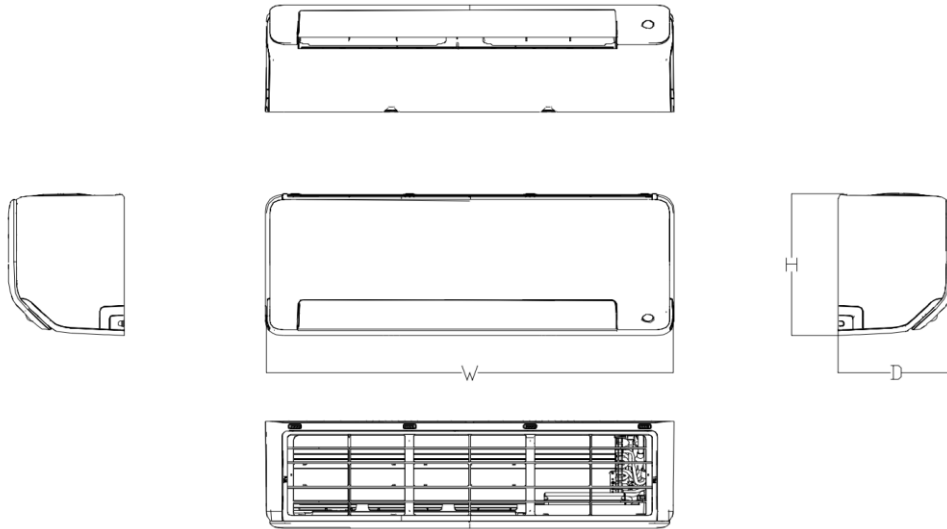
ELECTRICAL

Power Supply	208 / 230V,60Hz,1Ph
System MCA	15
Connection Wiring	AWG 14/4
System MOCP	15.0
Compressor RLA	11.6
Outdoor Fan Motor RLA	0.5
Outdoor Fan Motor W	34
Indoor Fan Motor RLA	0.5
Indoor Fan Motor W	20
System Power Input @ Cooling (W)	890 (127 ~ 1,250)
System Power Input @ Heating (W)	935 (225 ~ 1,400)
MCA: Min. circuit amps (A)	MOCP: Max. over current protection (A)
RLA: Rated load amps (A)	W: Fan motor rated output (W)

PIPING

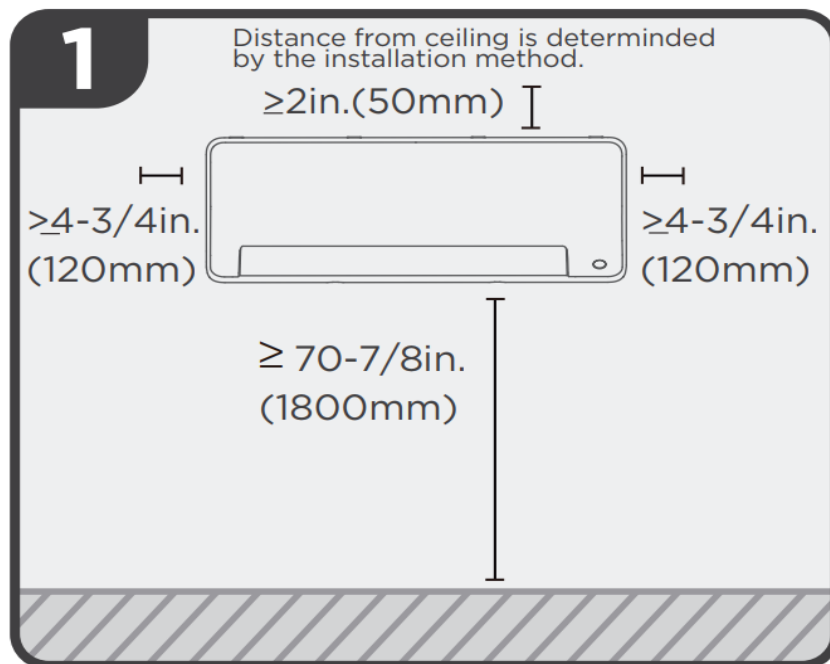
Throttle type(Indoor)	N/A
Throttle type(Outdoor)	EXV
Liquid Size	1/4" (6.35mm)
Gas Size	3/8" (9.52mm)
Max. Piping Length(ft/m)	82 (25)
Max. Height Difference(ft/m)	49 (15)
Max. Pre-charged Length(ft/m)	25 (7.5)
Refrigerant Pre-charged Amount(oz/g)	35 (1)
Additional Charge of Refrigerant((oz/ft)/(g/r	0.16 (15)
Connection Method	Flared

Indoor Unit Dimension



Capacity	Body Code	Unit	W	D	H
6k~12k	B	mm	795	225	295
		inch	31-3/8	8-7/8	11-5/8
12k~18k	C	mm	965	239	319
		inch	38	9-3/8	12-1/2
24k~36k	D	mm	1140	275	370
		inch	44-7/8	10-7/8	14-1/2

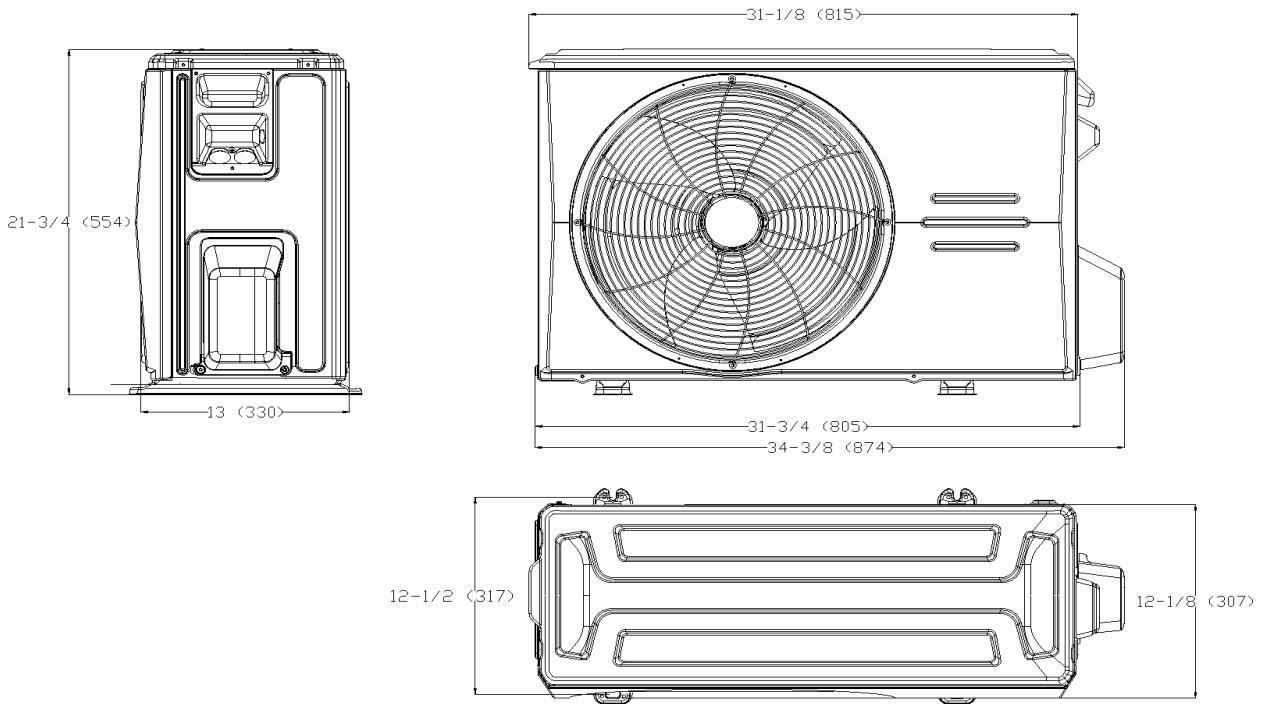
Installation Instruction



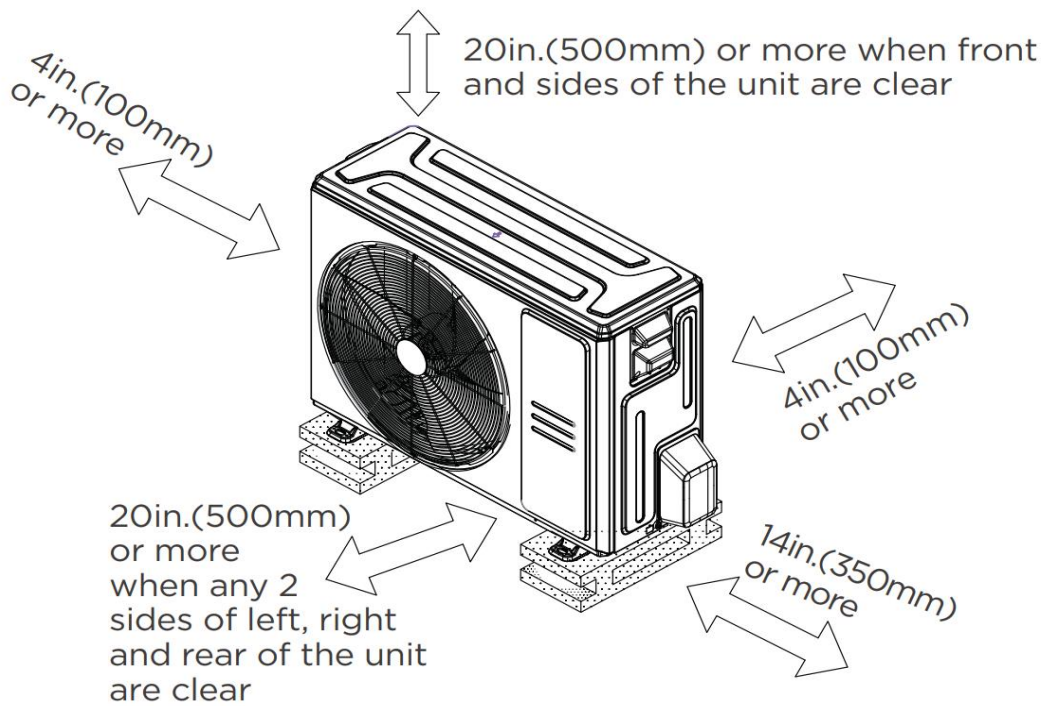
Select Installation Location

Outdoor Unit Dimension

Unit: inch (mm)



Installation Instruction



FEATURES

- Intelligent eye
- Easy maintenance design
- Indoor unit TU1 copper coil
- Humidity control
- 1~100% fan speed setting
- WiFi capability: through WiFi dongle or wired controller with built-in WiFi
- OTA(by using WiFi dongle)
- Multiple control options available:
 - Two way communication wired controller:120N(X6)
 - Two way communication wired controller with built-in WiFi:120N(X6W)
 - Infrared wired controller: 120L
 - Wireless remote controller
 - Third-Party 24V Thermostat*

*24V interface is required.